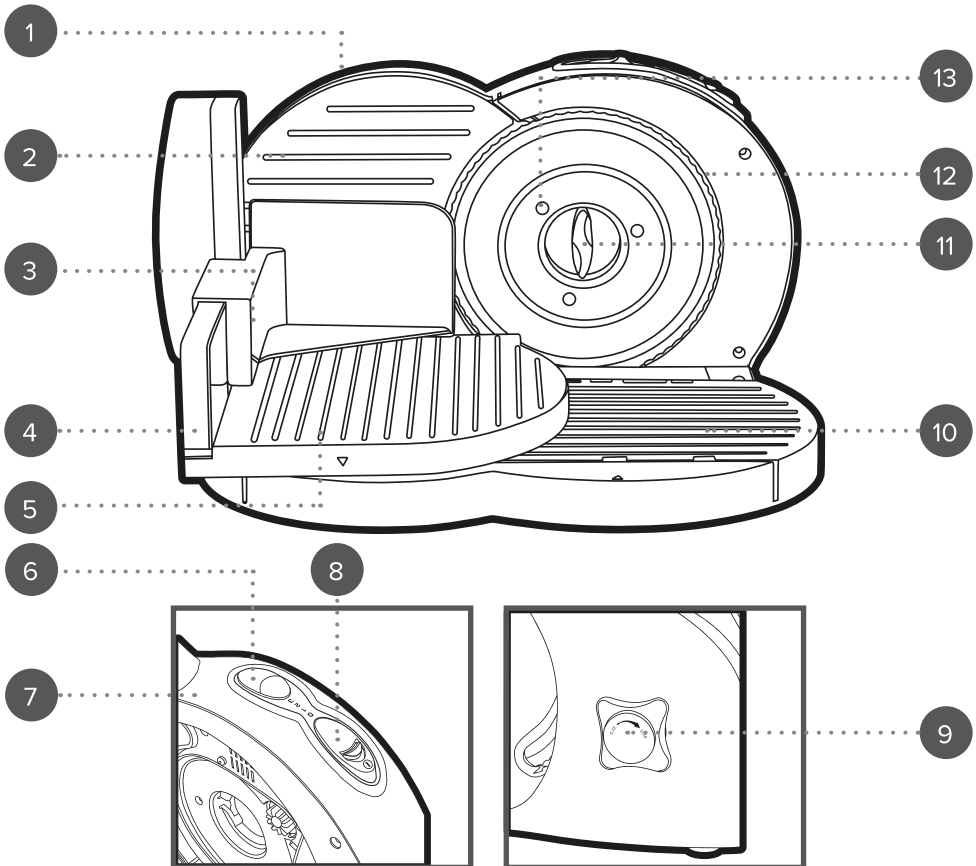


User manual

Electric food slicer



1. Food slicer main unit
2. Thickness guide
3. Plastic safety guard
4. Food guide handle
5. Food slicing table
6. Speed selector button
7. Slice thickness gauge

8. Safety lock button
9. Slice control dial
10. Platform
11. Blade attachment lock
12. Blade
13. Anchor points

Please retain instructions for future reference.

SAFETY INSTRUCTIONS

- When using electrical appliances, basic safety precautions should always be followed.
- Check that the voltage indicated on the rating plate corresponds with that of the local network before connecting the appliance to the mains power supply.
- This appliance can be used by children aged from 8 years and above and persons with reduced physical, sensory or mental capabilities and knowledge, if they have been supervised/instructed and understand the hazards involved.
- Children shall not play with the appliance.
- Children should not perform cleaning or user maintenance, unless they are older than 8 and supervised.
- This appliance is not a toy.
- If the power supply cord, plug or any part of the appliance is malfunctioning or if it has been dropped or damaged, cease using the product immediately to avoid potential injury.
- This appliance contains no user serviceable parts, only a qualified electrician should carry out repairs. Improper repairs may place the user at risk of harm.
- Keep the appliance and its power supply cord out of the reach of children.
- Keep the appliance out of the reach of children when it is switched on or cooling down.
- Keep the appliance and its power supply cord away from heat or sharp edges that could cause damage.
- Keep the power supply cord away from any parts of the appliance that may become hot during use.
- Keep the appliance away from other heat emitting appliances.
- Do not allow the power supply cord to hang over worktops, touch hot surfaces or become twisted.
- Do not immerse the electrical components of this appliance in water or any other liquid.
- Do not operate the appliance with wet hands or if any connections are wet.
- If this appliance falls or accidentally becomes immersed in water, unplug it from the wall outlet immediately. Do not reach into the water.
- Do not leave the appliance unattended whilst connected to the mains power supply.
- Do not remove the appliance from the mains power supply by pulling the cord; switch it off and remove the plug by hand.
- Do not pull or carry the appliance by its power supply cord.
- Do not use the appliance for anything other than its intended use.
- Do not use any accessories other than those supplied.
- Do not use this appliance outdoors.
- Do not store the appliance in direct sunlight or in high humidity conditions.

- Do not move the appliance whilst it is in use.
- Do not touch any sections of the appliance that may become hot during use, as this could cause injury.
- Always unplug the appliance after use and allow it to cool fully before any cleaning, user maintenance or storing away.
- Always use the appliance on a stable, heat-resistant surface, at a height that is comfortable for the user.
- This appliance should not be operated by means of an external timer or separate remote control system.
- Use of an extension cord with the appliance is not recommended.
- This appliance is intended for domestic use only. It should not be used for commercial purposes.



CAUTION: Do not touch any moving parts on this appliance during use, as this could cause injury. Keep hands, fingers, hair and any loose clothing away from the rotating tools of the appliance.

Dos and don'ts

DO:

Handle the blade with care, as it is extremely sharp.

Exercise caution when attaching, removing, cleaning or storing the blade attachment.

Switch off the appliance and disconnect it from the mains power supply before changing or fitting attachments. The blade will continue to rotate briefly after the appliance has turned off.

Allow the food slicer to cool before using it again. Max. operation time is approx. 3 minutes.

DON'T:

Operate the food slicer without food.

Slice frozen foods, foods with bones, items with large seeds, foods still in the packaging or with a cooking string.

Use attachments if they are loose, damaged or broken.

Care and maintenance

Before attempting any cleaning or maintenance, switch off and unplug the electric food slicer from the mains power supply and allow it to cool fully. Turn the slice control dial to '0 mm' before cleaning the appliance.

STEP 1: Wipe the food slicer main unit and food slicing table with a soft, damp cloth and allow to dry thoroughly.

STEP 2: Remove the blade from the food slicer and clean using a brush with mild soap and water. Rinse and dry the blade thoroughly.

STEP 3: Detach the food slicing table and plastic safety guard from the food slicer and clean using a soft sponge or cloth with mild soap and water. Rinse and dry thoroughly. Never touch the blade; using extreme caution, clean the blade with a brush and dry carefully.

Do not use harsh or abrasive detergents or scourers to clean the food slicer, as this could cause damage.

The food slicer is not suitable for use in a dishwasher.



NOTE: The food slicer should be cleaned after each use.

Before first use

Before connecting to the mains power supply, clean the food slicer following the instructions in the section entitled '**Care and maintenance**'.



NOTE: When using the food slicer for the first time, a slight odour may be emitted. This is normal and will soon subside. Allow for sufficient ventilation around the food slicer and only use for the recommended length of time.

Fitting the blade

Make sure that the food slicer is switched off and unplugged from the mains power supply, and that the slice control dial is set to '**0 mm**' before fitting the blade.

STEP 1: To attach the blade, position the blade attachment lock so it is in a horizontal position whilst holding the blade and place it onto the anchor points. Once in position, turn the blade attachment lock in an anticlockwise direction until the lock is vertical.

STEP 2: To remove the blade, turn the blade attachment lock in a clockwise direction. While keeping hold of the blade attachment lock, gently pull the blade away from the food slicer main unit.



CAUTION: The food slicer blade cannot be used to slice frozen foods, foods with bones, items with large seeds, foods still in the packaging or with a cooking string.



WARNING: Handle the blade with care, as it is extremely sharp. Exercise caution when attaching, removing, cleaning or storing the blade. Do not use broken or loose cutting or rotating blades.

Adjusting thickness

The slice thickness can be changed by turning the slice control dial on the rear of the food slicer main unit. The thickness can be adjusted between 1–15 mm. '**0 mm**' on the food slicer is for use during care and maintenance.

Check that the food slicer is switched off and unplugged from the mains power supply.

STEP 1: Turn the slice control dial in an anticlockwise direction to increase the thickness of the slice.

STEP 2: Turn the slice control dial in a clockwise direction to decrease the thickness of the slice.

Fitting the food slicing table

Check that the food slicer is switched off and unplugged from the mains power supply, and is on a flat, stable surface.

STEP 1: Make sure that the food slicing table is positioned with the food guide handle on the left-hand side in the upright position.

STEP 2: Position the food slicing table over the platform where there are 4 insert holes in front of the blade.

STEP 3: Fit the anchor points on the underside of the food slicing table into the 4 insert holes, and then slide to the left.

STEP 4: Position the food slicing table on the left side of the platform in preparation to add the food to be sliced.

Switching the food slicer on/off

This food slicer is equipped with a safety lock button for extra safety.

STEP 1: Place the food to be sliced on the food slicing table. Secure with the plastic safety guard which fits over the food guide handle.

Position the speed selector button to the desired speed setting:

0 = OFF

1 = Low Speed

2 = Medium Speed

3 = High Speed

STEP 2: The safety lock button is made up of two sections (**b** and **c**, see **Fig.1**). Push safety lock button (**b**) forwards whilst pushing safety lock button (**c**) downwards to turn on the food slicer.

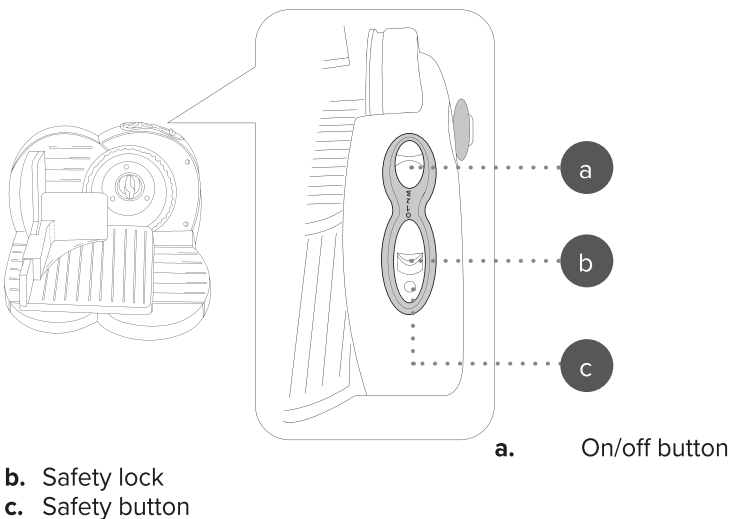
STEP 3: Continue to hold the safety buttons down with one hand whilst operating the food slicer and slicing the food with a free hand.

STEP 4: Release both safety lock buttons to turn the food slicer off, then switch the speed selector button to '0 mm'.



WARNING: Check that the blade, attachments and food are all in position following the instructions in the section entitled 'Using the food slicer' before turning the food slicer on.

Fig. 1.



Using the food slicer

Check that the food slicer is switched off and unplugged from the mains power supply and placed on a flat, stable surface. Position the food slicer so that the blade is not facing towards the user but to the right. This will allow the food slicing table to be pushed backwards and forwards in a safe manner.

STEP 1: Make sure that the blade is correctly fitted to the food slicer.

STEP 2: Using the slice control dial, adjust to desired thickness.

STEP 3: Fit the food slicing table to the food slicer.

STEP 4: Place the food to be sliced on the food slicing table. Secure with the plastic safety guard which fits over the food guide handle.

STEP 5: Plug the food slicer into the mains power supply. To switch the food slicer on, follow the instructions in the section entitled '**Switching the food slicer on/off**'.

STEP 6: Place one hand on the food guide handle and smoothly move the food slicing table backwards and forwards.

For even slicing, do not press the food against the blade too firmly.

STEP 7: Check that the thickness of the food is as desired. If adjustment is needed, turn off the food slicer and adjust by repeating steps 2–5.

STEP 8: After slicing has been completed, turn off the food slicer by releasing the safety lock button. Select '**0**' on the speed selector button and switch off and unplug the food slicer from the mains power supply.



CAUTION: The blade will continue to rotate briefly after the food slicer has turned off.

Always unplug the food slicer from the mains power supply when it is not in use or left unattended.

Do not operate the food slicer without food.

Switch off and unplug the food slicer from the mains power supply before attempting to remove the sliced food and before cleaning.

Max. operation time is approx. 3 minutes. Allow the food slicer to cool before using it again.



WARNING: Never use hands or fingers to press food against the blade, always use the plastic safety guard and food guide handle.

Never remove the plastic safety guard during operation or when still connected to the mains power supply. This part acts as a shield for the user.

Troubleshooting

Problem	Possible cause	Solution
The food slicer will not operate.	The food slicer is not connected to the mains power supply.	Plug in and switch on the food slicer at the mains power supply.
	The food slicer has been used for longer than its max. operation time of 3 minutes.	Switch off the food slicer and allow it to cool fully before using again.
	The fuse in the food slicer has blown.	Check the fuse by replacement.
The food slicer is sticking.	There is food build up on the blade and food slicer main unit.	Clean the blade and food slicer following the instructions in the section entitled ' Care and maintenance '.
The food slicer is not slicing evenly.	There is too much pressure being used to push the blade against the food.	Do not press the blade too firmly against the food.
		Use a steady even motion to move the food slicing table backwards and forwards.

Storage

Check that the food slicer is cool, clean and dry before storing in a cool, dry place. Never wrap the cord tightly around the food slicer; wrap it loosely to avoid causing damage. Carefully store the blade to avoid injury.

Specifications

Product code: EK3683
 Input: 220–240 V ~ 50/60 Hz
 Output: 150 W



Disposal of Waste Batteries and Electrical and Electronic Equipment



This symbol on the product, its batteries or its packaging means that this product and any batteries it contains must not be disposed of with household waste. Instead, it is the user's responsibility to hand this over to an applicable collection point for the recycling of batteries and electrical and electronic equipment. This separate collection and recycling will help to conserve natural resources and prevent potential negative consequences for human health and the environment due to the possible presence of hazardous substances in batteries and electrical and electronic equipment, which could be caused by inappropriate disposal. Some retailers provide take-back services which allow the user to return exhausted equipment for appropriate disposal. **It is the user's responsibility to delete any data on electrical and electronic equipment prior to disposal.** For more information about where to drop batteries, electrical and electronic waste off, please contact the local city/municipality office, household waste disposal service, or the retailer.

Manufactured by:
Ultimate Products UK Ltd.,
Victoria Street, Manchester OL9 0DD. **UK.**
Ultimate Products Europe Ltd.,
19 Baggot Street Lower, Dublin D02 X658. **ROI.**

MADE IN CHINA.

CD120619/MD030724/V6