

# Important safety

Please read carefully

Please retain instructions for future reference.

## SAFETY INSTRUCTIONS

- When using electrical appliances, basic safety precautions should always be followed.
- Check that the voltage indicated on the rating plate corresponds with that of the local network before connecting the appliance to the mains power supply.
- This appliance can be used by children aged from 8 years and above and persons with reduced physical, sensory or mental capabilities and knowledge, if they have been supervised/instructed and understand the hazards involved.
- Children shall not play with the appliance.
- Children should not perform cleaning or user maintenance, unless they are older than 8 and supervised.
- This appliance is not a toy.
- If the power supply cord, plug or any part of the appliance is malfunctioning or if it has been dropped or damaged, cease using the product immediately to avoid potential injury.
- This appliance contains no user serviceable parts, only a qualified electrician should carry out repairs. Improper repairs may place the user at risk of harm.
- Keep the appliance and its power supply cord out of the reach of children.
- Keep the appliance out of the reach of children when it is switched on or cooling down.
- Keep the appliance and its power supply cord away from heat or sharp edges that could cause damage.
- Keep the power supply cord away from any parts of the appliance that may become hot during use.
- Keep the appliance away from other heat emitting appliances.
- Do not allow the power supply cord to hang over worktops, touch hot surfaces or become twisted.
- Do not immerse the electrical components of this appliance in water or any other liquid.
- Do not operate the appliance with wet hands or if any connections are wet.
- If this appliance falls or accidentally becomes immersed in water, unplug it from the wall outlet immediately. Do not reach into the water.
- Do not leave the appliance unattended whilst connected to the mains power supply.
- Do not remove the appliance from the mains power supply by pulling the cord; switch it off and remove the plug by hand.
- Do not pull or carry the appliance by its power supply cord.
- Do not use the appliance for anything other than its intended use.
- Do not use any accessories other than those supplied.
- Do not use any damaged accessories.
- Do not use this appliance outdoors.
- Do not store the appliance in direct sunlight or in high humidity conditions.
- Do not move the appliance whilst it is in use.
- Do not touch any moving parts on this appliance during use, as this could cause injury.
- Do not touch any sections of the appliance that may become hot during use, as this could cause injury.
- Always unplug the appliance after use and ensure it has cooled fully before any cleaning, user maintenance or storing away.
- Always use the appliance on a stable, heat-resistant surface, at a height that is comfortable for the user.
- Use of an extension cord with the appliance is not recommended.
- This appliance should not be operated by means of an external timer or separate remote control system.
- This appliance is intended for domestic use only. It should not be used for commercial purposes.



**CAUTION:** Keep hands, fingers, hair and any loose clothing away from the rotating tools of the appliance.



**WARNING:** Do not touch sharp blades.

**UK  
CA CE**

**EN | Disposal of Waste Batteries and Electrical and Electronic Equipment**



This product is labelled with this crossed out wheel bin symbol in accordance with European Directive 2012/19/EC to indicate that it must not be disposed of with your other household waste. Due to the presence of hazardous substances, mixtures or components, electrical and electronic devices that are not subject to selective sorting are potentially dangerous to the environment and human health. Please check your local city office or waste disposal service for the return and recycling of this product.

Manufactured by:  
Ultimate Products UK Ltd.,  
Victoria Street, Manchester OL9 0DD. **UK.**  
Ultimate Products Europe Ltd.,  
19 Baggot Street Lower, Dublin D02 X658. **ROI.**

**MADE IN CHINA.**

CD260324/MD000000/V1

## Troubleshooting

Problem	Solution
The blender will not operate.	Ensure the blender is plugged into the mains power supply.
	Ensure the plastic jug and plastic jug lid are fully secured in place.
	The thermal overheat protection may have kicked in. Turn the blender off at the mains power supply, remove some of the ingredients and wait for approx. 30 minutes before reusing.
	Check the fuse is in working order and does not need to be replaced.
The drink still contains lumps or has not blended well.	Reduce the amount of solid ingredients in the plastic jug or add more liquid ingredients.
	Use the pulse function in short burst for harder ingredients and ice.
The drink is watery and lacking flavour.	Use the pulse function in short bursts to ensure the ingredients are not over-blended.

## Storage

Reassemble the blender.

Check that the blender is cool, clean and dry before storing in a cool, dry place.

Never wrap the cord tightly around the blender; wrap it loosely to avoid causing damage

## Specifications

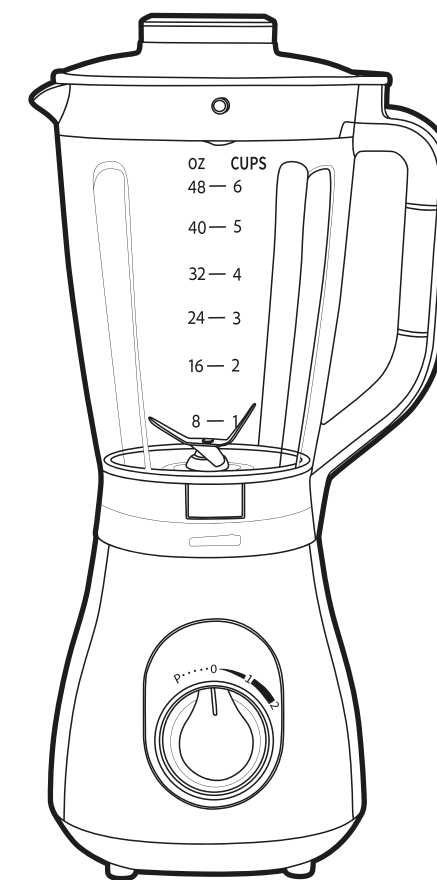
Product code: EK6647

Input: 220–240 V ~ 50/60 Hz

Output: 500 W

# User manual

Blender

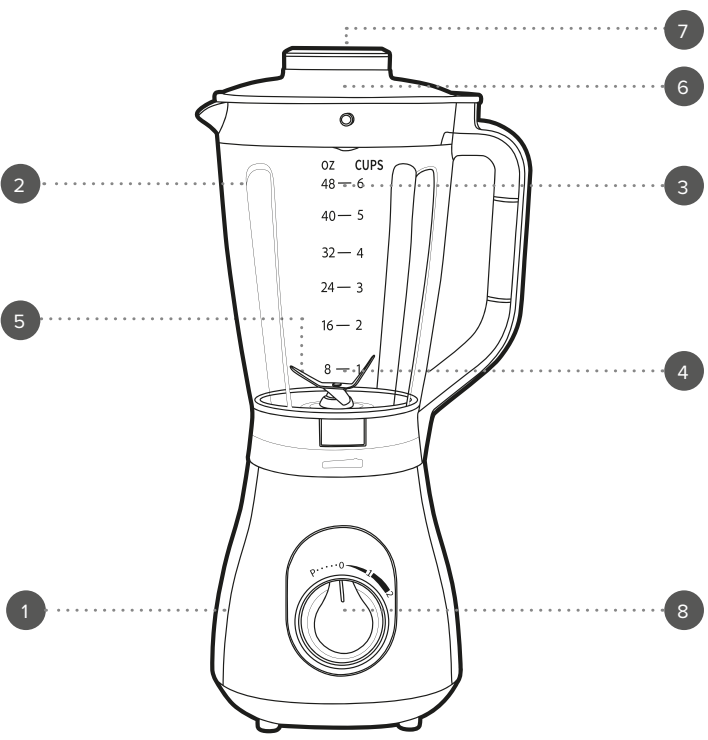


Manufactured by:  
Ultimate Products UK Ltd.,  
Victoria Street, Manchester OL9 0DD. **UK.**  
Ultimate Products Europe Ltd.,  
19 Baggot Street Lower, Dublin D02 X658. **ROI.**

**MADE IN CHINA.**

©Progress trademark. All rights reserved.  
CD03022025/MD000000/V1

# Description of parts



- 1. Blender base unit
- 2. Plastic jug
- 3. Max. fill mark (1.5 L)
- 4. Min. fill mark (100 ml)
- 5. Stainless steel blade
- 6. Plastic jug lid
- 7. Filler cap
- 8. Control dial (1, 2, P)

Please retain instructions for future reference.

## Dos and don'ts

**DO:**  
Add a small amount of cold liquid or reduce the quantity of the ingredients in the plastic jug if the blades are not running smoothly.

If the ingredients do not blend evenly, remove the plastic jug from the blender base unit. Shake the plastic jug to redistribute the ingredients and then blend once more. Chop all ingredients into small pieces before blending.

**DO NOT:**  
Attempt to remove the plastic jug until the blades have fully stopped moving.  
Blend dry ingredients for more than 60 seconds at a time.  
Use cutting/rotating blades if they are loose, damaged or broken.  
Dry blend ice cubes (blend without sufficient liquid).



**WARNING:** Do not blend hot liquid or food. Never exceed the 1.5 L max. fill mark when adding ingredients to the plastic jug, as this could cause spillage and may damage the blender. The blender must not be operated when the plastic jug is empty, cracked or broken. Do not clean the plastic jug with boiling hot water.

## Care and maintenance

**STEP 1:** Switch off and unplug the blender from the mains power supply before performing any cleaning or user maintenance.  
**STEP 2:** Wipe the blender base unit with a soft, damp cloth and allow to dry thoroughly.  
**STEP 3:** Wash the plastic jug in warm, soapy water, then rinse and dry thoroughly.  
Never use harsh or abrasive detergents or scourers to clean the blender, as this could cause damage.



**NOTE:** Always clean the blender immediately after each use. The blender is not suitable for use in a dishwasher. The blade attachment is provided fully assembled.

## Instructions for use

### Before first use

Before connecting to the mains power supply, clean the blender following instructions in the section entitled 'Care and maintenance'.



**NOTE:** When using the blender for the first time, a slight smoke or odour may be emitted. This is normal and will soon subside. Allow for sufficient ventilation around the blender.

## Using the blender

**STEP 1:** Position the blender base unit onto a flat, stable surface at a height that is comfortable for the user.  
**STEP 2:** Ensuring the tabs are aligned, place the plastic jug on top of the blender base unit and twist clockwise until it locks into place.  
**STEP 3:** Chop the ingredients to be blended into small pieces and then place them into the plastic jug. Make sure they do not exceed 1.5 L mark.  
**STEP 4:** Pour the required amount of liquid into the plastic jug. Make sure it does not exceed the 1.5 L mark. The filler cap can be used as a small measuring cup.  
**STEP 5:** Fit the plastic jug lid and filler cap onto the plastic jug and turn the lid in a clockwise direction so it locks into place. Plug in and switch on the blender at the mains power supply.  
**STEP 6:** To blend the ingredients, turn the control dial to the desired speed setting ('1', '2'). Turn the dial to 'P' to activate the pulse function; release to stop it. The pulse function provides quick bursts of speed useful for more solid foods.  
**STEP 7:** Stop the blending process by turning the control dial to '0'.  
**STEP 8:** Switch off and unplug the blender from the mains power supply.  
**STEP 9:** Detach the plastic jug from the blender base unit by turning it anticlockwise and lifting up and away from blender base unit.



**NOTE:** Ingredients can be added whilst the blender is in operation via the filler cap. Lift the filler cap up and away to remove. The blender is fitted with a thermal overheat protection. If the blender gets too hot, it will cut out. To continue, switch the blender off at the mains power supply, remove some of the foodstuffs and wait for approx. 30 minutes before continuing.



**WARNING:** Maximum operation time is approx. 1 minute. Allow to cool for approx. 2 minutes before using the blender again.